

Technical Data sheet

KBM METERING SYSTEMS

STYROMIX 3 FOR SHAPE MOULDING PLANTS



Brand name:
KBM STYROMIX 3

The KBM STYROMIX System is designed to obtain a more accurate metering and mixing of recycled EPS or EPP materials with virgin EPS or EPP beads. It can be mounted directly before each individual moulding machine, (either close to each machine - or near the silos). The STYROMIX System starts mixing whenever there is vacuum from a moulding machine. The STYROMIX System is suitable for EPS or EPP granulated and dust extracted material and since the mixing takes place directly before the material reaches the hopper on the moulding machines, the de-mixing of the mixture is minimized or even eliminated compared to mixing after the pre-expander.

Data:

Throughput per unit 100 L/Min
Compressed air 5 bar
Hose connection ID 400mm (1,5") or 500mm (2")

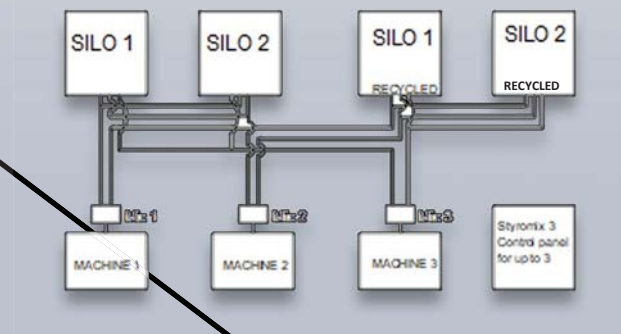
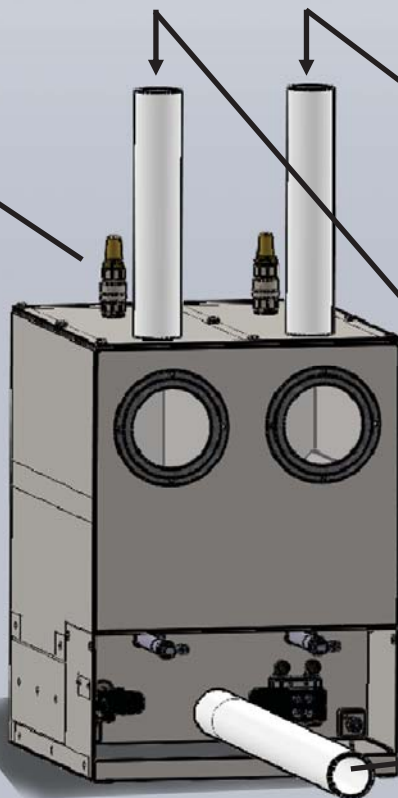
Dimensions

Length 435mm (17")
Width 390mm (16")
Height 680mm (27")

Mixing ratios

0 - 100% in 1% steps.
Mixing ratio is set via the control panel. The control panel operates up to 3 units.

STYROMIX 3 is placed by the storage silos or by the moulding machine. It is activated by the vacuum from the moulding machine



Recycled material

Virgin material

Mixed material is conveyed into the mould by a vacuum provided by the moulding machine



KBM APS | VOELUNDSVEJ 13 | 3400 HILLEROED | DENMARK
Phone +45 4826 8090 / www.kbm.dk / kbm@kbm.dk

KBM ApS guarantees that the product meets the specification above. The keeping, handling and use of the products are beyond the control of KBM ApS, and therefore shall not invoke any responsibility of the company. This TD substitutes and deletes all previous versions.



Technical Data sheet

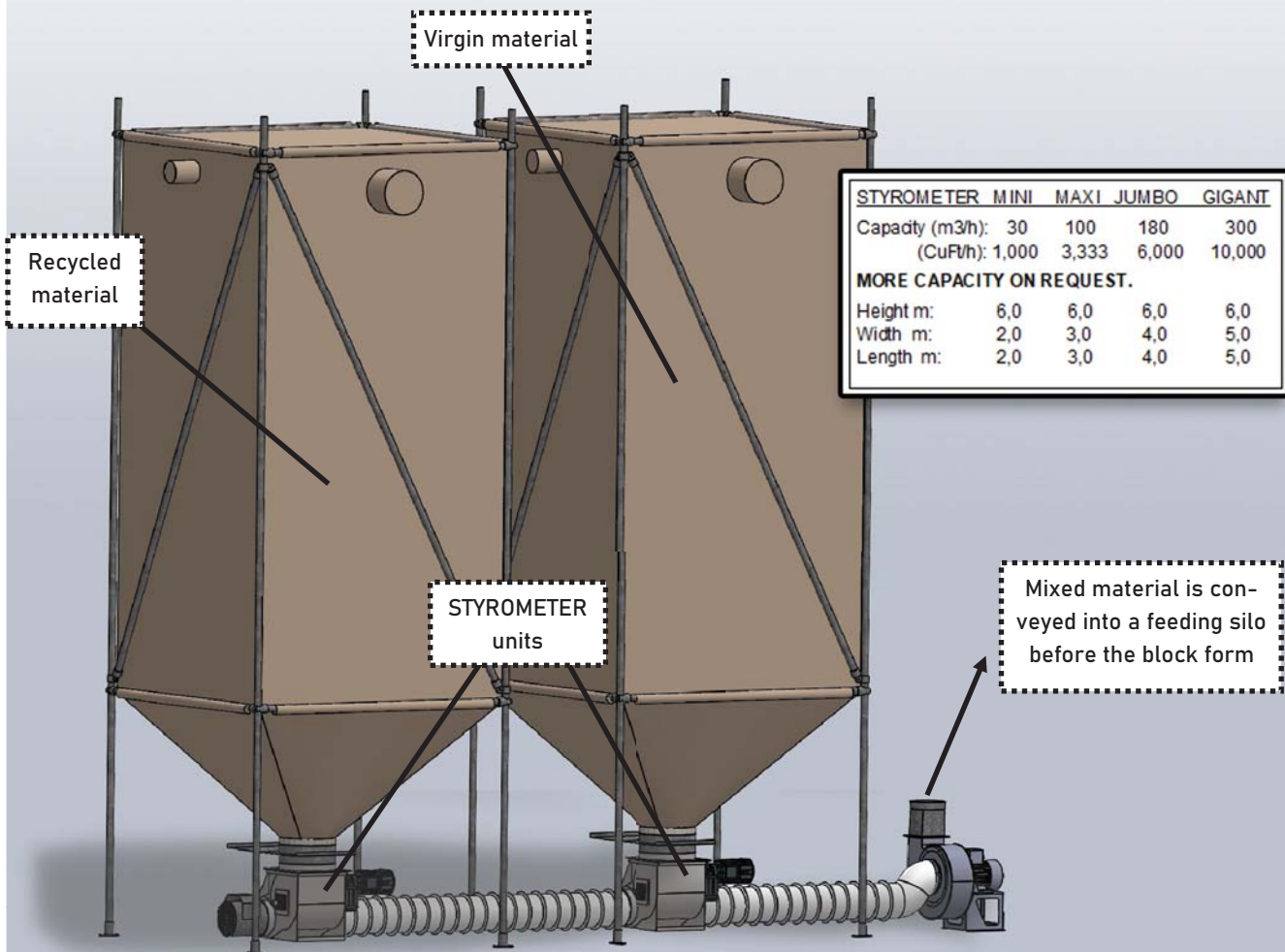
KBM METERING SYSTEMS

STYROMETER FOR BLOCK MOULDING PLANTS



Brand name:
KBM STYROMETER

The KBM STYROMETER System is designed to meter and mix the recycled and new material together right before the block mould in order to minimize de-mixing. Each silo contains one material e.g. recycled and virgin material. The speed of the cell wheels (airlocks) is steplessly adjustable from 1% to 100% with one mutual potentiometer to set the required mixing ratio from 1–99%. It is also possible to program a number of pre-set ratios (5%, 10%, 15%, etc.) to simplify the settings. The cell wheel (airlock) principle ensures an accurate mixing/metering independently of the pressure in the silos which are refilled by a blower. The system can also be delivered for existing silos.



KBM APS | VOELUNDSVEJ 13 | 3400 HILLEROED | DENMARK
Phone +45 4826 8090 / www.kbm.dk / kbm@kbm.dk

KBM ApS guarantees that the product meets the specification above. The keeping, handling and use of the products are beyond the control of KBM ApS, and therefore shall not invoke any responsibility of the company. This TD substitutes and deletes all previous versions.



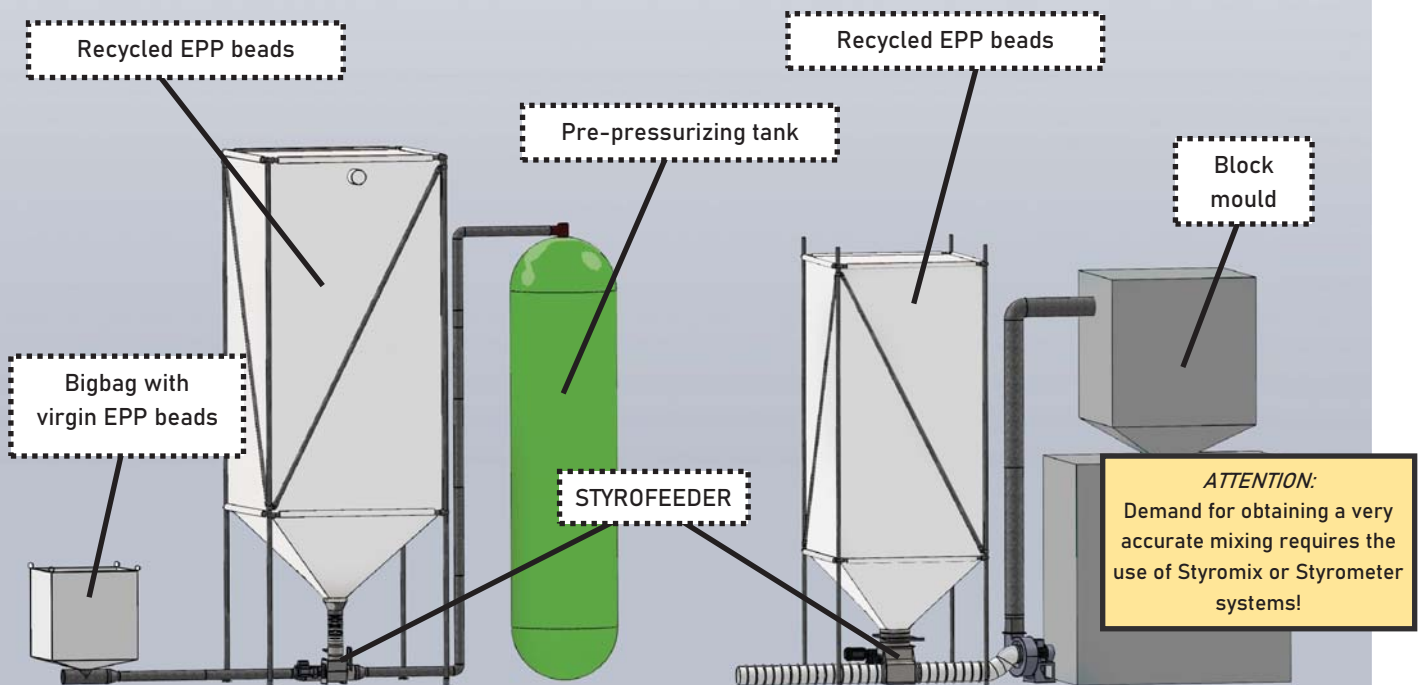
Technical Data sheet

KBM METERING SYSTEMS

STYROFEEDER FOR SHAPE & BLOCK MOULDING PLANTS



Brand name: KBM STYROFEEDER	The metering-mixing units have a stepless variable adjustment of the volume, enabling the recycled material to be mixed with the virgin material, arriving from the storage silos in a pre-set ratio.	Capacity/ Duct size:
STYROFEEDER 160 EPS	Metering-mixing unit for EPS block material for mixing the recycled material with the virgin material from the storage silos before the block mould.	10-12 m ³ /time (350-420 ft ³ /h)
STYROFEEDER 160 EPP	Metering-mixing unit for EPP material for mixing the recycled material with the virgin material from the storage silos before the pre-pressurizing tank.	Ø160mm (6")
STYROFEEDER 250 EPS	Metering-mixing unit for EPS block material for mixing the recycled material with the virgin material from the storage silos before the block mould.	30-40 m ³ /time (1050-1400 ft ³ /h)
STYROFEEDER 250 EPP	Metering-mixing unit for EPP material for mixing the recycled material with the virgin material from the storage silos before the pre-pressurizing tank.	Ø250mm (10")



KBM APS | VOELUNDSVEJ 13 | 3400 HILLEROED | DENMARK
Phone +45 4826 8090 / www.kbm.dk / kbm@kbm.dk

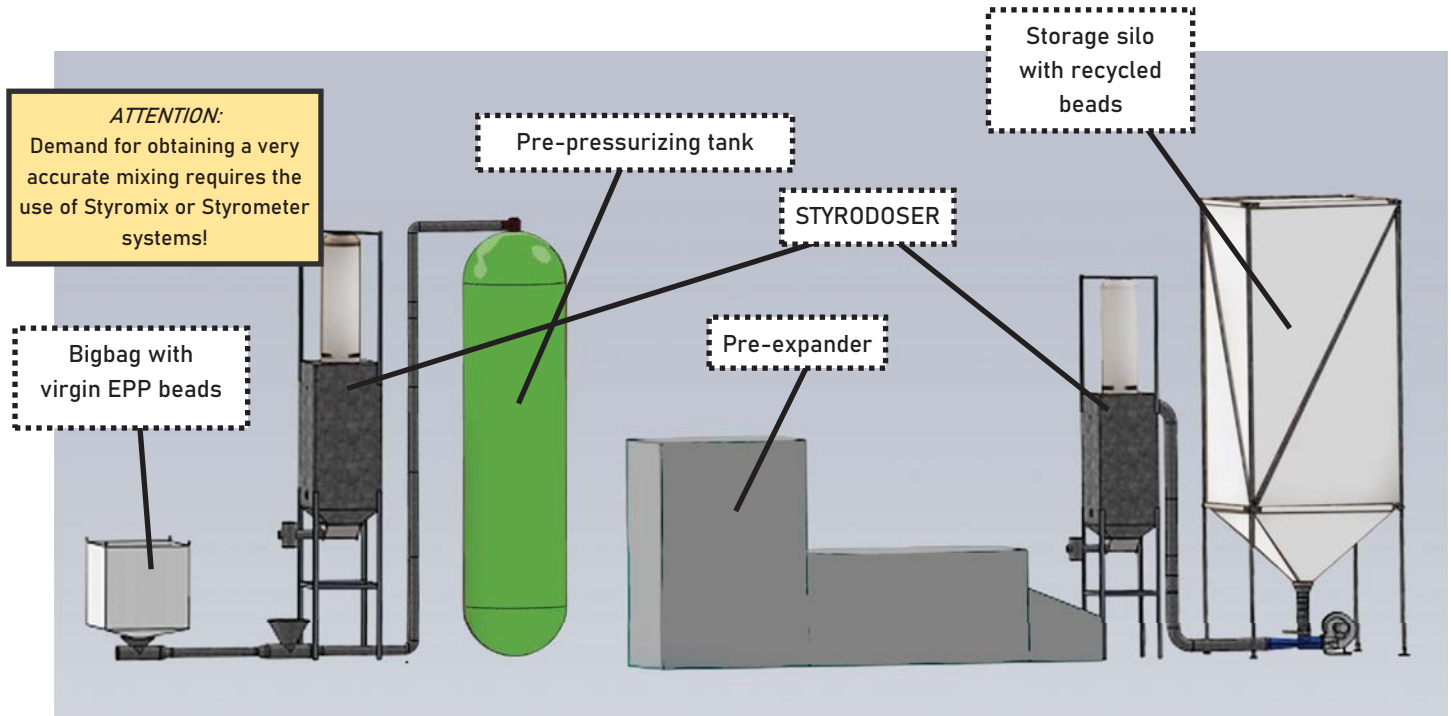
KBM ApS guarantees that the product meets the specification above. The keeping, handling and use of the products are beyond the control of KBM ApS, and therefore shall not invoke any responsibility of the company. This TD substitutes and deletes all previous versions.



Technical Data sheet

KBM METERING SYSTEMS

STYRODOSER FOR SHAPE & BLOCK MOULDING PLANTS



ATTENTION:
Demand for obtaining a very accurate mixing requires the use of Styromix or Styrometer systems!

Bigbag with virgin EPP beads

Pre-pressurizing tank

STYRODOSER

Storage silo with recycled beads

Pre-expander

Brand name:
KBM STYRODOSER

STYRODOSER is for mixing small ratios of material, in order to obtain an accurate mixing at a cost effective price.

STYRODOSER FOR EPS

Complete EPS metering unit STYRODOSER for stepless metering of the recycled EPS material for mixing with the virgin material right after the pre-expansion.

STYRODOSER FOR EPP

Complete EPP metering unit STYRODOSER for stepless metering of the recycled material to introduce recycled EPP material before the pre-pressurizing tank.

SILO

Volume of silo 0,8x0,8x2,0 m. (32x32x80") = approx. 1,5 m³ (51 ft³) incl. fully automatic feeding of recycled material from the storage silo into the metering silo with a level control in the metering silo. When the silo is full, the material flow stops for a pre-set time after which it is reactivated.



KBM APS | VOELUNDSVEJ 13 | 3400 HILLEROED | DENMARK
Phone +45 4826 8090 / www.kbm.dk / kbm@kbm.dk

KBM ApS guarantees that the product meets the specification above. The keeping, handling and use of the products are beyond the control of KBM ApS, and therefore shall not invoke any responsibility of the company. This TD substitutes and deletes all previous versions.

