

Technical Data Sheet

INJEKTORKING LS

Injector fill gun suited for EPS/EPP/EPE/ARCEL/NEOPOR



Brand name:

Injektorking LS

Suited for regular EPS, high density EPS, Arcel, EPE, Neopor (Graphite).

Material

Stainless Steel, Brass, Aluminium

Available standard specifications:

Barrel length (AAA)	200, 230, 300, 330, 400, 430, 530 mm
Barrel diameter (BB)	M28x1,0, 28, 30, 32, 33, 40, 42, 50, M42x1,5 mm
Tip OD (CC)	10 - 38 mm
Piston plunger (DD)	8, 10, 12, 16, 18, 20, 24 mm
Tip length (LL)	20 - 36 mm
Total length	390 - 1020 mm
Ejector (FFF), optional	100 mm

Material in-let thread

1"

Seals::

1 x U-seal + 1 x Double-lip seal + 1 x Bushing seal
See accessories list for detailed description

Air connections:

1 x Open & filling air 1/4"
1 x Closing air 1/4"

Air consumption

(Fixed air consumption)

120 l/min by 6 bar

Blow-back function

Yes

3C air connection

Optional - 3 connections for open, close & filling

Steam core vent

Optional

Contour filler (Non-rotating plunger)

Optional



KBM APS | VOELUNDSVEJ 13 | 3400 HILLEROED | DENMARK

Phone +45 4826 8090 / www.kbm.dk / kbm@kbm.dk

KBM ApS guarantees that the product meets the specification above. The keeping, handling and use of the products are beyond the control of KBM ApS, and therefore shall not invoke any responsibility of the company. This TD substitutes and deletes all previous versions.



Technical Data Sheet

INJEKTORKING LS

Injector fill gun suited for EPS/EPP/EPE/ARCEL/NEOPOR



INJEKTORKING LS KEY BENEFITS

- **VERY LOW AIR CONSUMPTION:** General very low air consumption with high vacuum for a good filling.
- **DURABLE DESIGN:** Durable design with critical parts manufactured in stainless steel, provides a long life time.
- **LONG LIFE TIME OF SEALS:** The quality of seals is crucial for an uninterrupted production. KBM seals offer long life time thus fewer production stops.
- **BUILD-IN "BLOW-BACK ON TIME"** after closed function.
- **SIMPLE DESIGN AND LOW MAINTANENCE:** To change all wear parts (3 seals) takes maximum 5 minutes. To change the U-seal, which is the only seal inside the steam chamber, takes 15 seconds. All parts are dismantled by hand without use of tools.
- **DESIGNED ALSO FOR USE WITH PRESSURE FILLING SYSTEMS,** allowing optimal filling, even of thin-walled sections too.

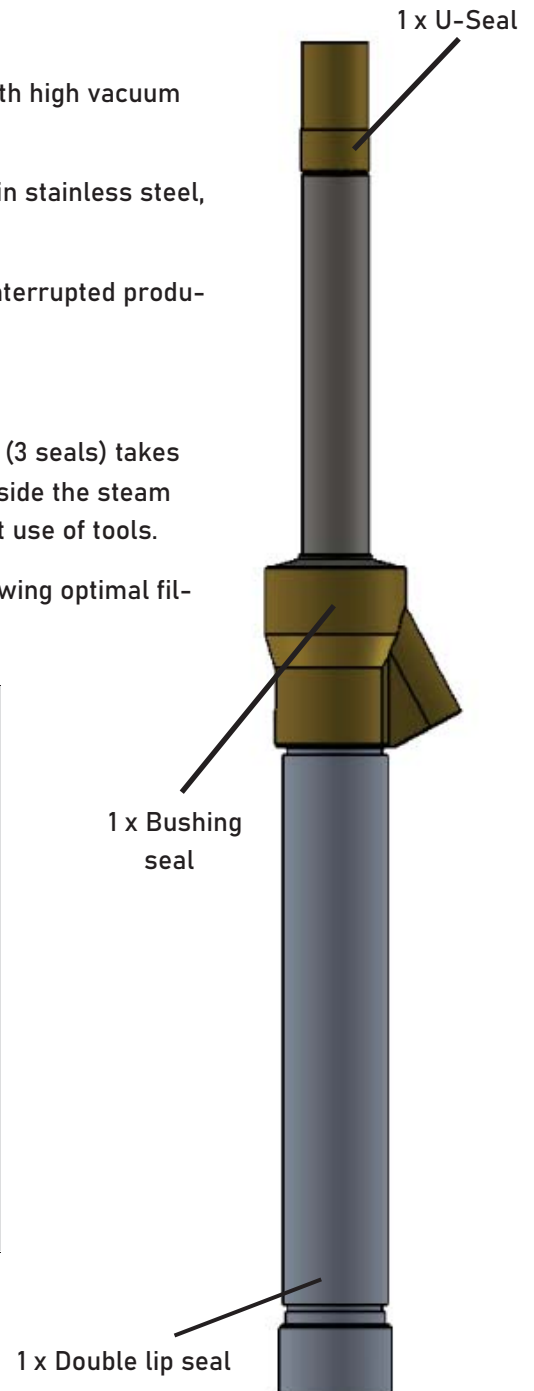
INJEKTORKING LS

Very low energy fill injector with a fixed air/vacuum setting.
Perfect for all types of shape moulding.

The solid design in stainless steel enables moulding with a wide range of raw materials e.g. EPS, EPP, EPE, Arcel, Neopor (Graphite).

A simple construction and a low weight means that no parts are damaged due to the weight of the injector during mounting in the mould, and offers a very easy maintenance with all parts to be dismantled by hand without use of special tools.

The INJEKTORKING LS is pre-calibrated for 120 l/min (4.25 CuFt/min) air consumption by 6 bar (87 PSI), equal to 317 nominal l/min (11.2 CuFt/min).



KBM APS | VOELUNDSVEJ 13 | 3400 HILLEROED | DENMARK
Phone +45 4826 8090 / www.kbm.dk / kbm@kbm.dk

KBM ApS guarantees that the product meets the specification above. The keeping, handling and use of the products are beyond the control of KBM ApS, and therefore shall not invoke any responsibility of the company. This TD substitutes and deletes all previous versions.



Technical Data Sheet

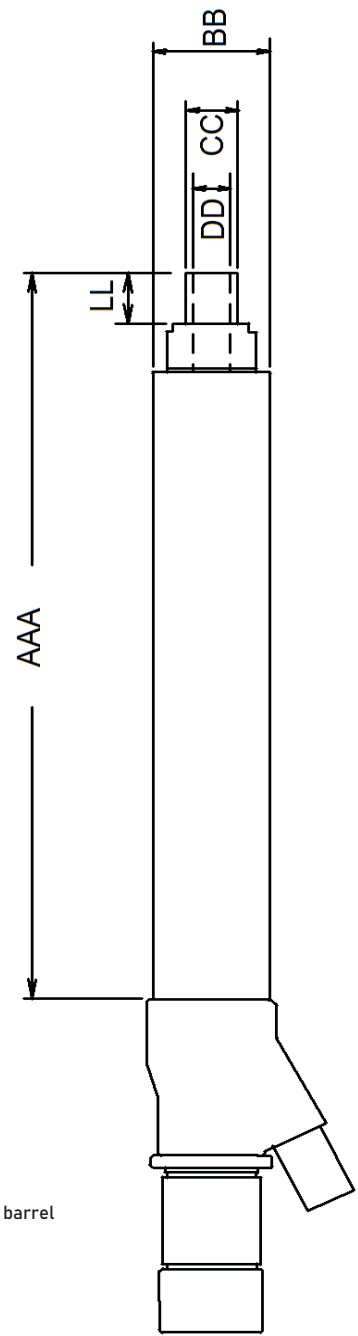
INJEKTORKING LS

Injector fill gun suited for EPS/EPP/EPE/ARCEL/NEOPOR

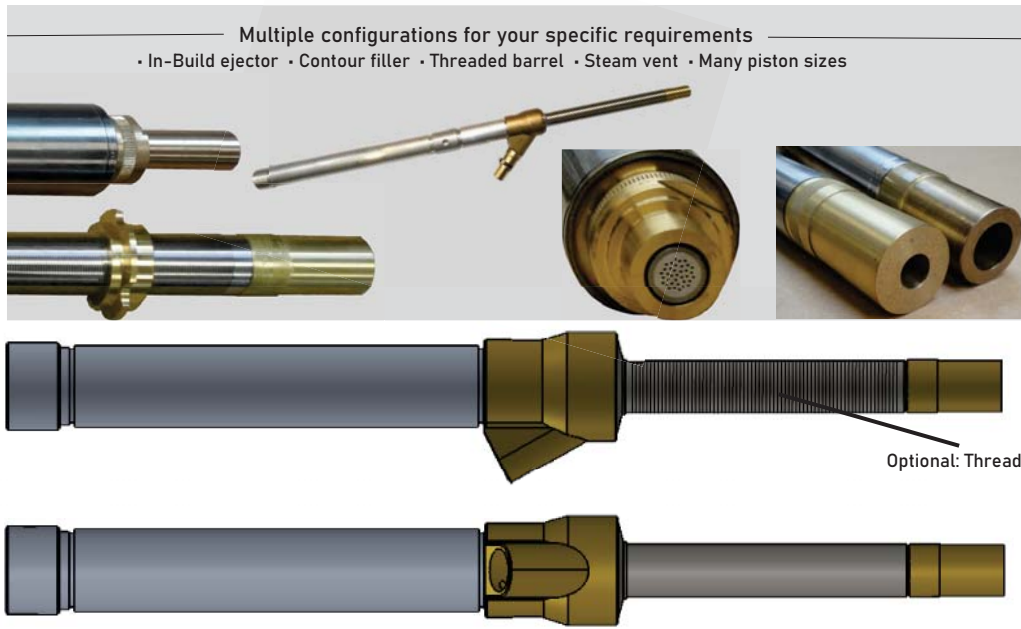


EXAMPLES:

TYPE	AAA	BB	CC	DD	Total
8 mm piston plunger:					
200/BB/10-26/08	200mm	M28x1,0 28, 30, 32, 33, 40, 42, 50 mm	10-26mm	8mm	390mm
300/BB/10-26/08	300mm	M28x1,0 28, 30, 32, 33, 40, 42, 50 mm	10-26mm	8mm	490mm
400/BB/10-26/08	400mm	M28x1,0 28, 30, 32, 33, 40, 42, 50 mm	10-26mm	8mm	690mm
10 mm piston plunger:					
200/BB/12-26/10	200mm	M28x1,0 28, 30, 32, 33, 40, 42, 50 mm	12-26mm	10mm	390mm
300/BB/12-26/10	300mm	M28x1,0 28, 30, 32, 33, 40, 42, 50 mm	12-26mm	10mm	490mm
400/BB/12-26/10	400mm	M28x1,0 28, 30, 32, 33, 40, 42, 50 mm	12-26mm	10mm	590mm
12 mm piston plunger:					
200/BB/14-26/12	200mm	M28x1,0 28, 30, 32, 33, 40, 42, 50 mm	14-26mm	12mm	390mm
300/BB/14-26/12	300mm	M28x1,0 28, 30, 32, 33, 40, 42, 50 mm	14-26mm	12mm	490mm
400/BB/14-26/12	400mm	M28x1,0 28, 30, 32, 33, 40, 42, 50 mm	14-26mm	12mm	690mm
16 mm piston plunger:					
200/BB/18-26/16	200mm	M28x1,0 28, 30, 32, 33, 40, 42, 50 mm	18-26mm	16mm	545mm
200/BB/18-26/16/110* (with ejector)	200mm	M28x1,0 28, 30, 32, 33, 40, 42, 50 mm	18-26mm	16mm	820mm
300/BB/18-26/16	300mm	M28x1,0 28, 30, 32, 33, 40, 42, 50 mm	18-26mm	16mm	745mm
300/BB/18-26/16/110* (with ejector)	300mm	M28x1,0 28, 30, 32, 33, 40, 42, 50 mm	18-26mm	16mm	1020mm
16, 18, 20 and 24mm piston plunger:					
230/BB/18-38/DD	230mm	40, 42, 50 mm	18-38mm	16, 18, 20, 24mm	
330/BB/18-38/DD	330mm	40, M42x1,5 42, 50 mm	18-38mm	16, 18, 20, 24mm	
430/BB/18-38/DD	430mm	40, M42x1,5 42, 50 mm	18-38mm	16, 18, 20, 24mm	
530/BB/18-38/DD	530mm	40, 42, 50 mm	18-38mm	16, 18, 20, 24mm	



*Built-in 110 mm ejector movement.



KBM APS | VOELUNDSVEJ 13 | 3400 HILLEROED | DENMARK

Phone +45 4826 8090 / www.kbm.dk / kbm@kbm.dk

KBM ApS guarantees that the product meets the specification above. The keeping, handling and use of the products are beyond the control of KBM ApS, and therefore shall not invoke any responsibility of the company. This TD substitutes and deletes all previous versions.

Technical Data Sheet

INJEKTORKING LS

Injector fill gun suited for EPS/EPP/EPE/ARCEL/NEOPOR

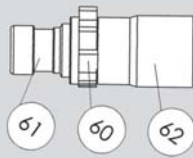


OVERVIEW

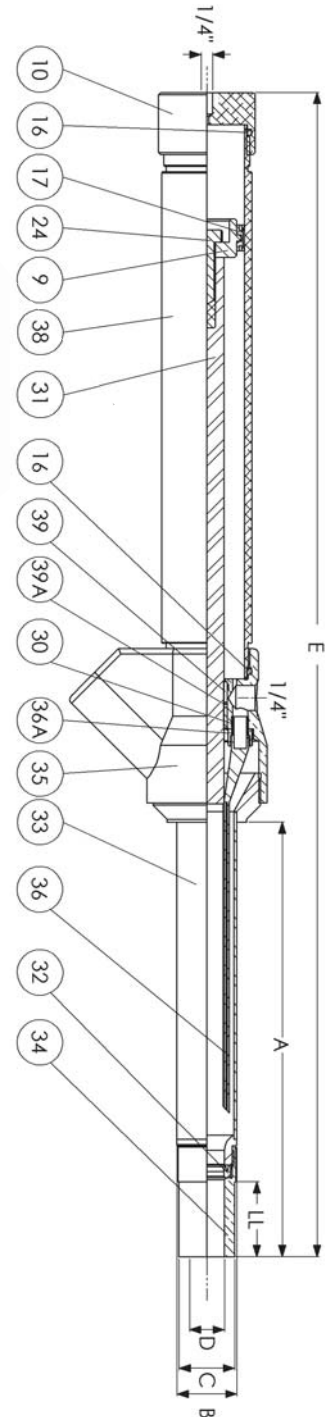
- 9. Piston
- 10. Air cylinder cap
- 16. O-ring
- 17. Double lip seal
- 24. Set screw M8x30
- 30. 2x Allen screw M6x8
- 31. Piston plunger
- 32. U-seal (Teflon)
- 33. Outside barrel
- 34. Tip
- 35. Casing
- 36. Blow pipe
- 36A. Union nut
- 38. Air cylinder
- 39. Bushing/ Seal
- 39A. O-ring

Quick clamp (Combi):

- 60.Clip
- 61.Hose stub
- 62.Connecting piece



KBM supplies a complete range of connectors, clamp rings and seals with short lead times. See the complete range in our accessories list.



KBM APS | VOELUNDSVEJ 13 | 3400 HILLEROED | DENMARK

Phone +45 4826 8090 / www.kbm.dk / kbm@kbm.dk

KBM ApS guarantees that the product meets the specification above. The keeping, handling and use of the products are beyond the control of KBM ApS, and therefore shall not invoke any responsibility of the company. This TD substitutes and deletes all previous versions.

