

# Technical Data sheet

# STYROFILLER

EASY AND FAST FILLING OF BAGS AND FURNITURE

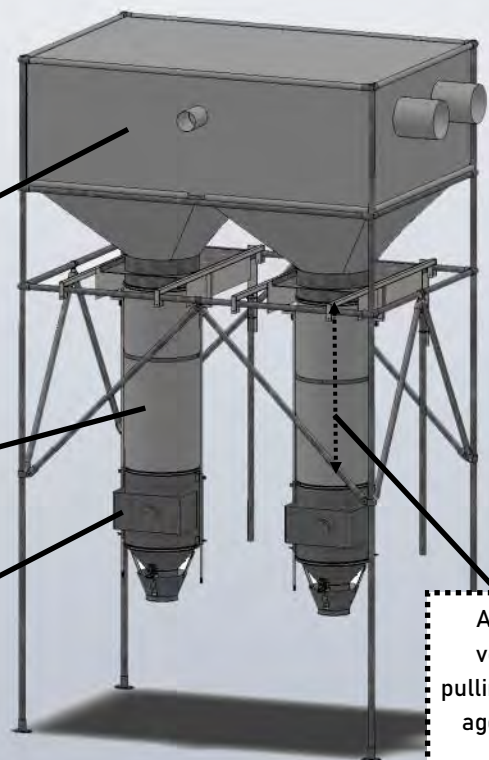


The KBM Styrofiller for furniture filling can fill bean bags with new EPS beads or regrind or with other similar materials.

The KBM Styrofiller is designed to effectively fill bags with EPS material.

Easy and fast adjustment of the volume for each batch.

Can also be used to fill a fixed volume of beads into plastic bags.



Control panel for operating

Storage silo

Flex tube

Filling aggregate

Adjust the volume by pulling the filling aggregate up/down



KBM APS | VOELUNDSVEJ 13 | 3400 HILLEROED | DENMARK  
Phone +45 4826 8090 / [www.kbm.dk](http://www.kbm.dk) / [kbm@kbm.dk](mailto:kbm@kbm.dk)

KBM ApS guarantees that the product meets the specification above. The keeping, handling and use of the products are beyond the control of KBM ApS, and therefore shall not invoke any responsibility of the company. This TD substitutes and deletes all previous versions.

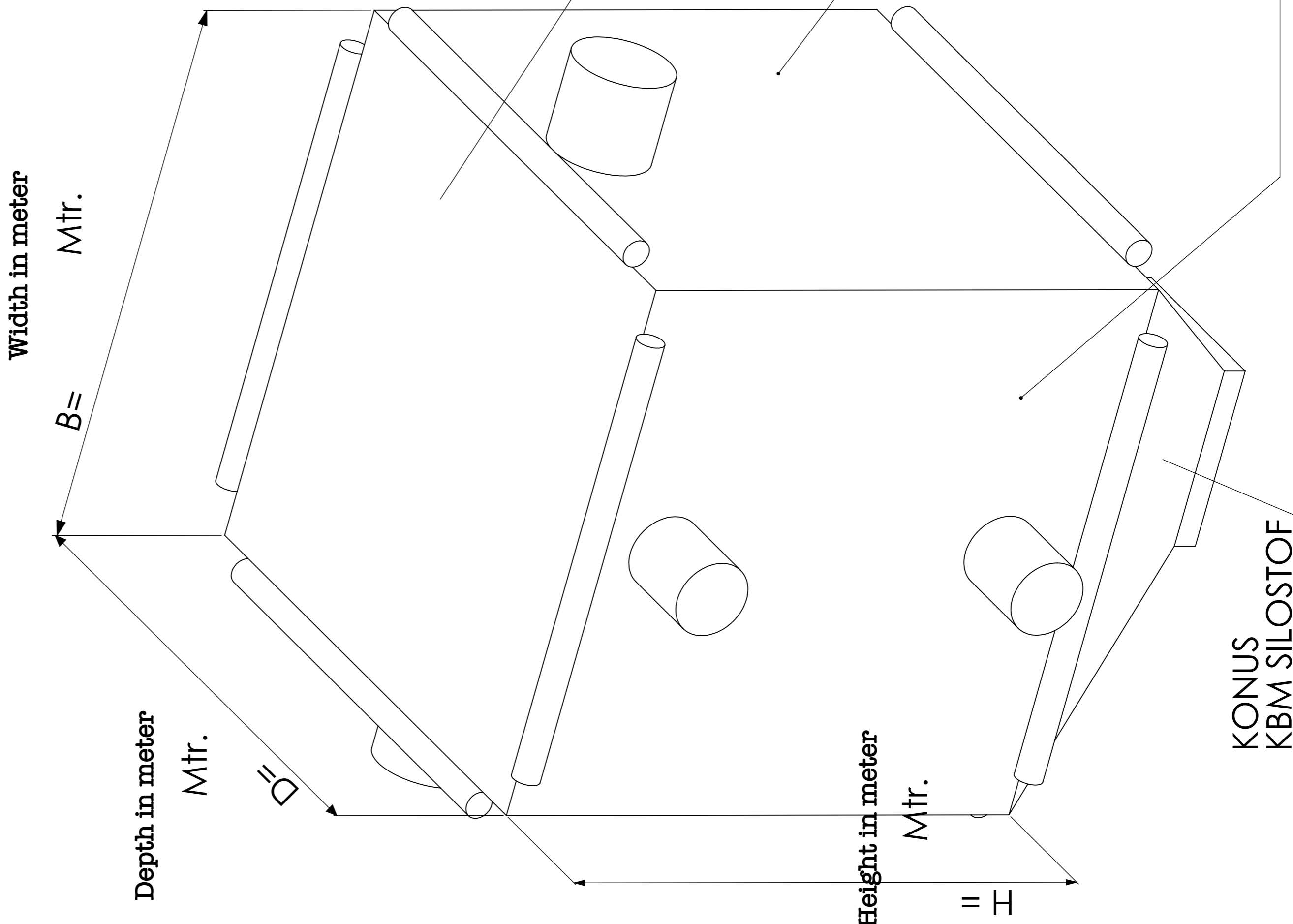
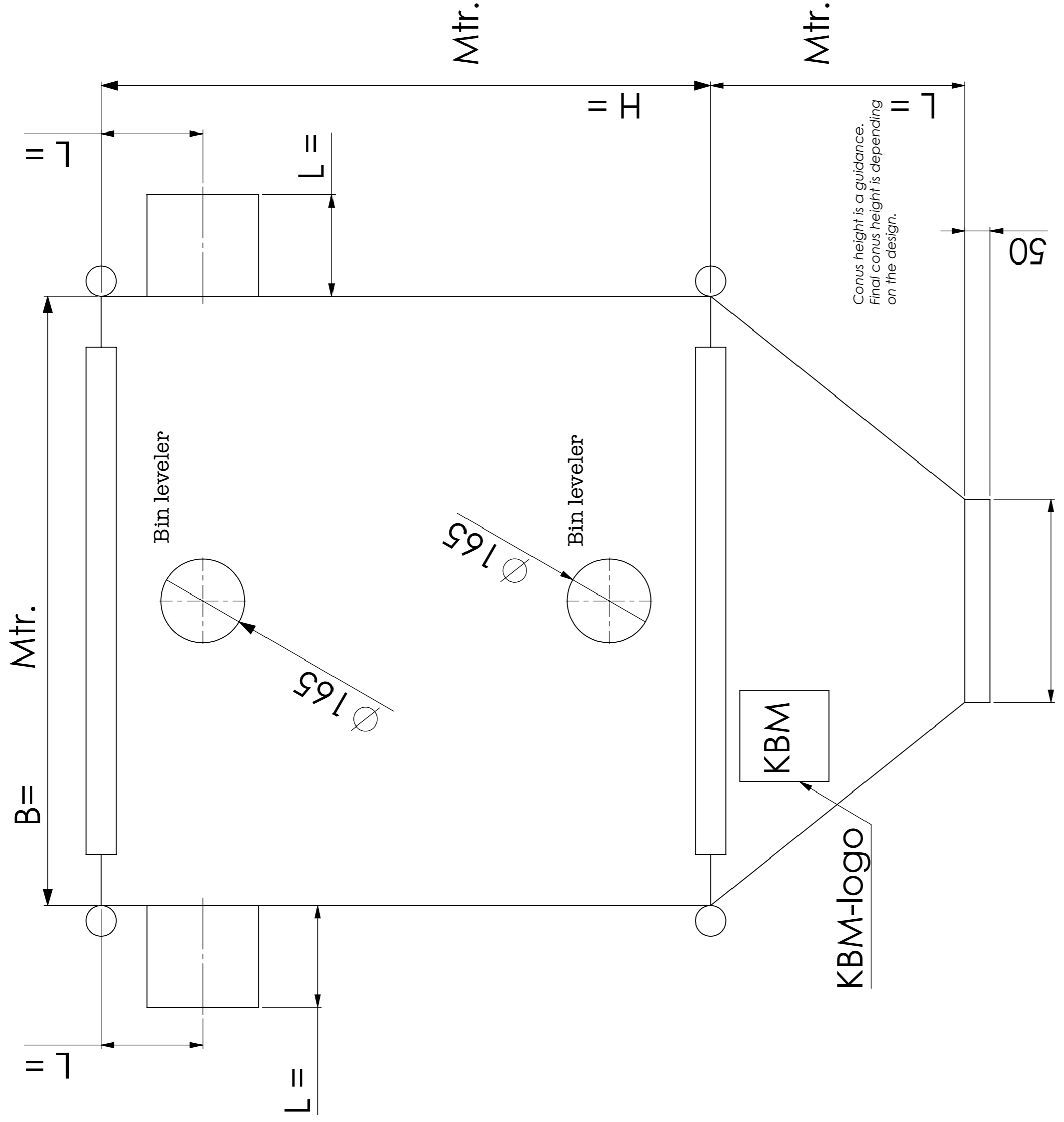
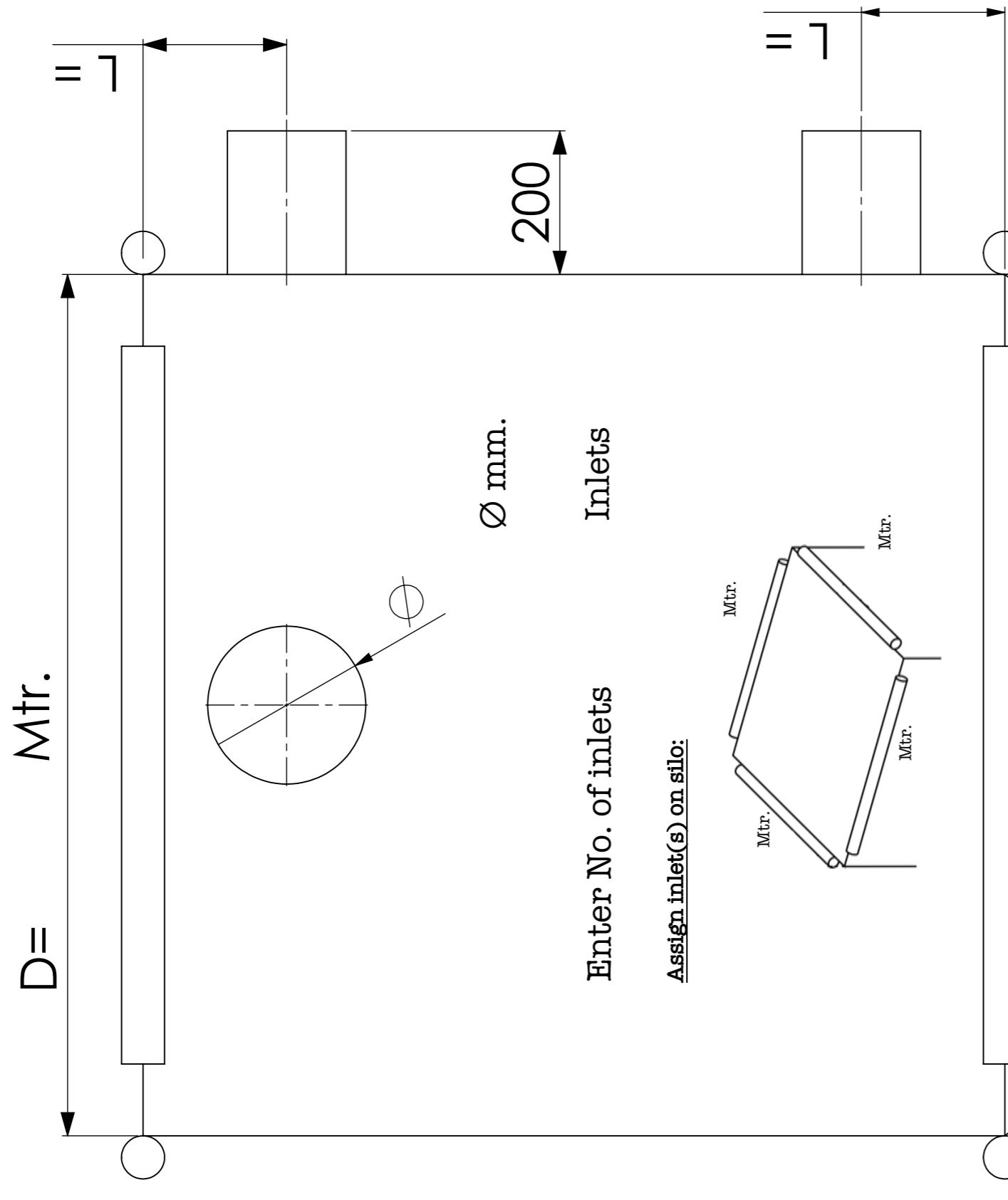


# SILO MEASUREMENTS FORM

DATE:

EMAIL:

COMPANY DETAILS:



Enter type and size of outlet  
 Ø mm.  
 Width length x mm.

**Options:**

- Window in silo (width 10 cm.)
- Length:
- Zipper

Enter total height  
**INCL. RACK**

Volume  
**EX. CONUS**

M<sup>3</sup>

Mtr.

Volume INCL  
**CONUS (guidance)**

Total height silo **EX. RACK**

M<sup>3</sup>

Mtr.

**CUSTOMER NOTES TO KBM:**

<b>PROPRIETARY AND CONFIDENTIAL</b> THE INFORMATION CONTAINED IN THIS DRAWING IS THE SOLE PROPERTY OF KBM A/S. ANY REPRODUCTION IN PART OR AS A WHOLE WITHOUT THE WRITTEN PERMISSION OF KBM A/S IS PROHIBITED.		NAME	DATE
DRAWN			
REV.			
MATERIAL:		DWG. NO.	SCALE 1:1
DO NOT SCALE DRAWING			

KBM A/S • VØLUNDSVEJ 13 • 3400 HILLERØD  
 TLF: +45 48268090 • FAX: +45 48268016 •  
 DENMARK • www.kbm.dk • kbm@kbm.dk

