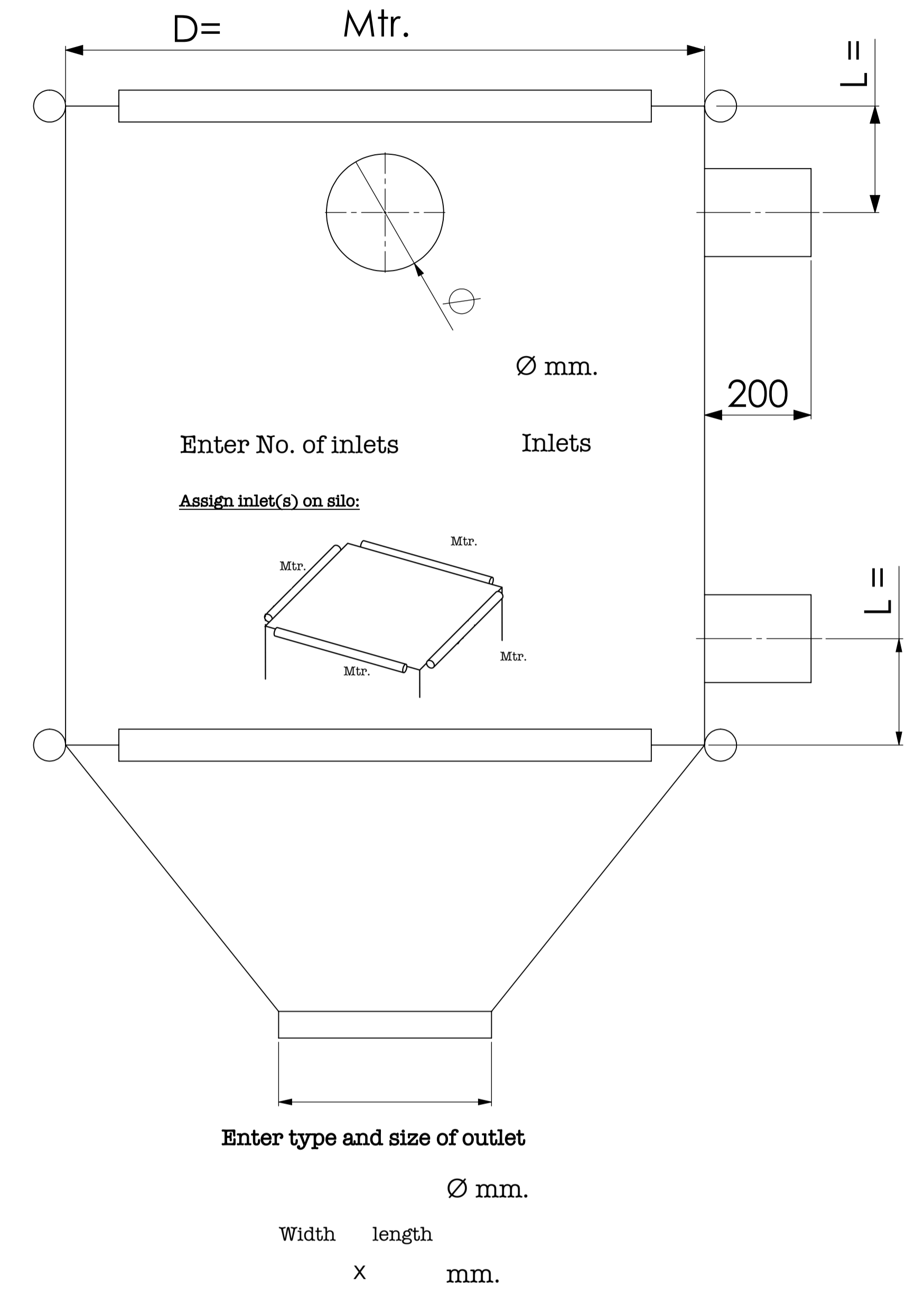
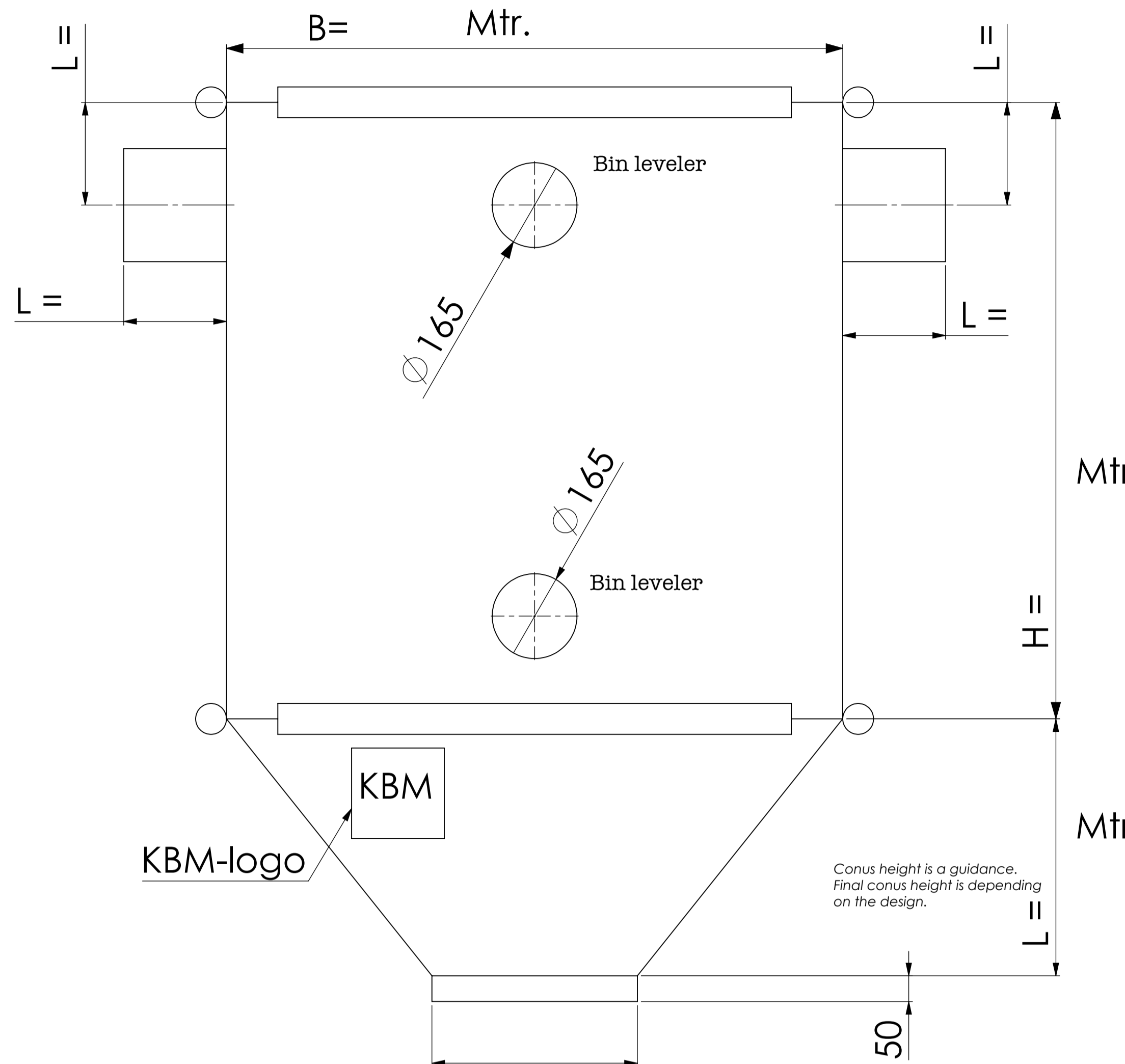
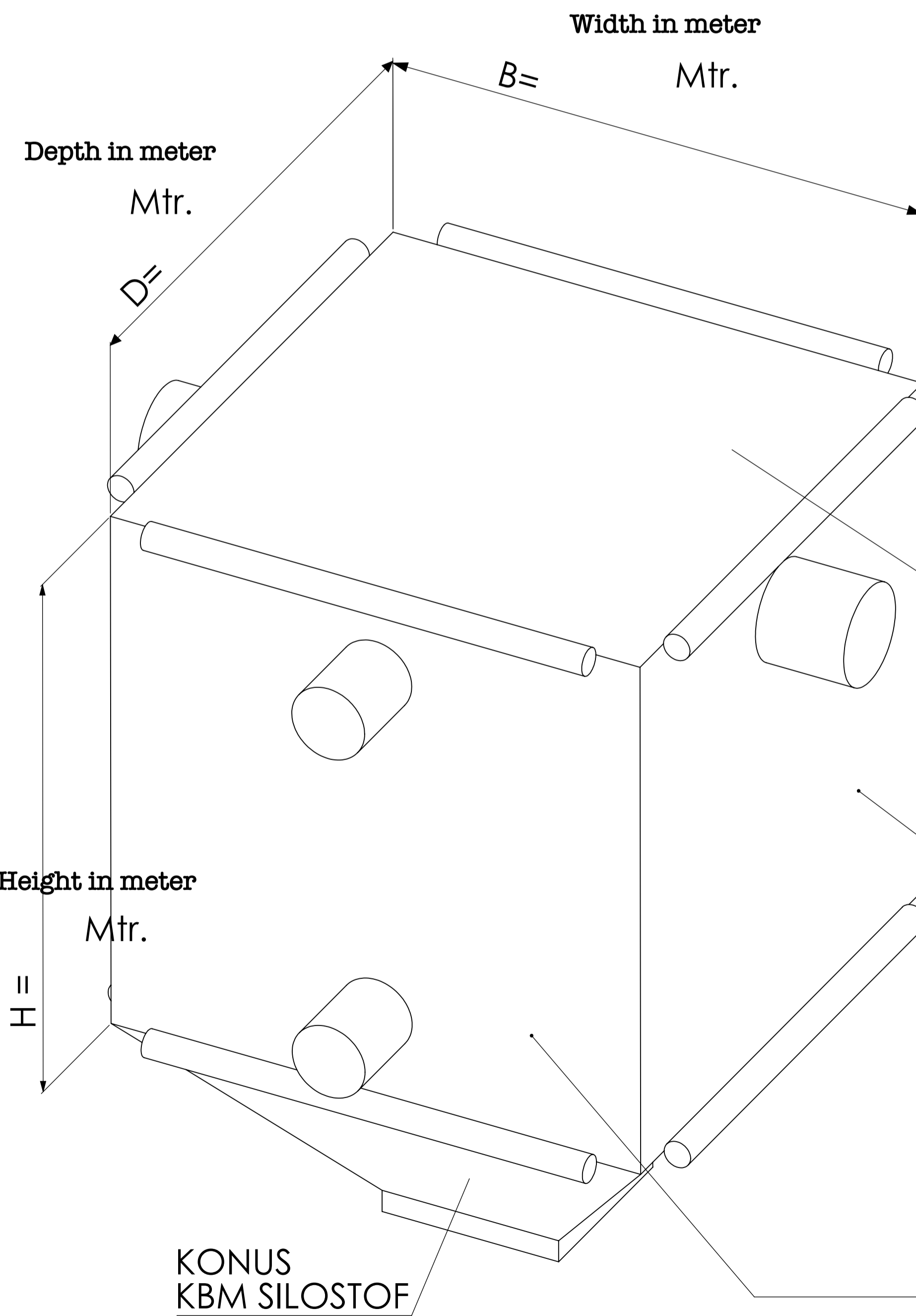


SILO MEASUREMENTS FORM

DATE:

EMAIL:

COMPANY DETAILS:



Options:

- Window in silo (width 10 cm.)
- Length:
- Zipper

CUSTOMER NOTES TO KBM:

Volume EX. CONUS

M³

Mtr.


Volume INCL CONUS (guidance)

M³

Mtr.

Enter total height INCL. RACK

Total height silo EX. RACK

<p>PROPRIETARY AND CONFIDENTIAL</p> <p>THE INFORMATION CONTAINED IN THIS DRAWING IS THE SOLE PROPERTY OF KBM ApS. ANY REPRODUCTION IN PART OR AS A WHOLE WITHOUT THE WRITTEN PERMISSION OF KBM ApS IS PROHIBITED.</p> <p>MATERIAL:</p> <p>DO NOT SCALE DRAWING</p>	<table border="1"> <tr> <th>NAME</th> <th>DATE</th> </tr> <tr> <td> </td> <td> </td> </tr> </table>	NAME	DATE			<p>KBM ApS * VØLUNDSTVEJ 13* 3400 HILLERØD TLF: +45 48268090 * FAX: +45 48268016 * DENMARK * www.kbm.dk * kbm@kbm.dk</p> 
	NAME	DATE				
<p>DWG NO.</p> <p>SCALE: 1:7.5</p> <p>SHEET 1 OF 1</p>						