

Technical Data sheet

STORAGE SILOS

KBM STORAGE SILOS ARE DESIGNED FOR ANY NEED



Brand name: KBM SILO	KBM builds high quality storage silos for EPS, EPP, Arcel, Neopor etc. We supply custom sized silos in different fabrics and solid approved galvanized steel rack guaranteeing a long life time.
SILO BAG MATERIAL	Dust proof antistatic polyester web with antistatic fibers with steel content. Liter/dm x min 200Pa (ISO9237):50
FILTER MATERIAL	Antistatic needle felt, dust proof with high air permeability. Liter/dm x min 200Pa (ISO 9237):250 or 400
RACK	1½" galvanized steel pipes.



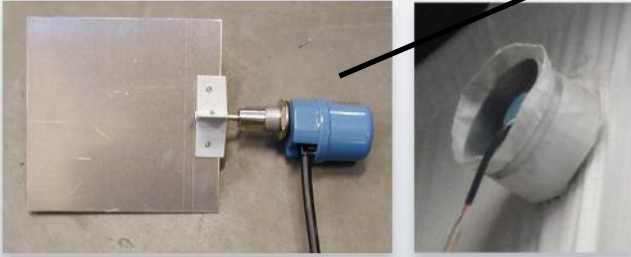
Technical Data sheet

STORAGE SILOS

KBM STORAGE SILOS ARE DESIGNED FOR ANY NEED



Bin leveler for silos.
Can be mounted in top and/or bottom to ensure full control



KBM FABRICS
Silo bag fabrics and silo

TYPE A



Tube clamps for silo racks

TYPE B



TYPE C



TYPE D



TYPE E



TYPE F



TYPE H



TYPE J



TYPE K



Technical Data sheet

KBM MOBILE SILOS

DESIGNED FOR FLEXIBLE HANDLING, TRANSPORT AND
COMPATIBLE WITH KBM RECYCLING SYSTEMS



Brand name:

KBM MOBILE SILO

Designed to optimize the use of the cargo space on a truck.

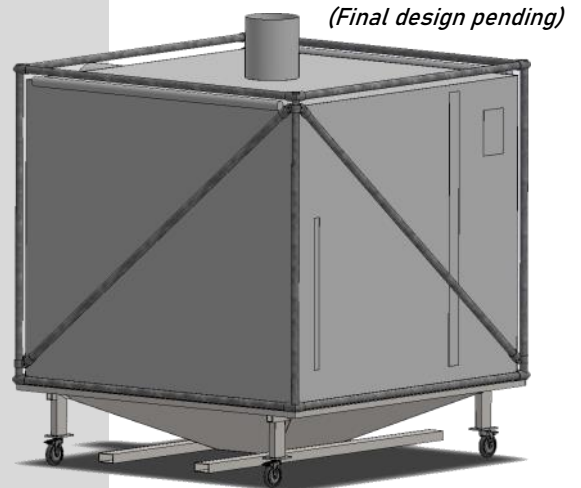
Outer dimensions : 2.4 x 2.4 x 2.4 m

Volume : Approx. 9 m³

Made of needle felt air venting on sides and top. Bottom cone is build with coated steel sheets incl. 2" rack made of galvanized pipes with tube-clamps. Build with large lockable wheels for an easy and safe mobility.

The main inlet pipe is used for both filling and emptying the silo. Equipped with fork pipes for easy loading/unloading on truck.

A full truck load can hold up to 5 silos.



KBM FOLDABLE SILO

Height in use : 2.6 m (8.5')

During filling : 3.9 m (12.8')

Outer dimensions : 1.6 x 2.1 m (5.3' x 6.9')
(unfolded in use)

Outer dimensions : 0.4 x 3.7 m (1.3' x 12.1')
(folded for storage)

Volume : 4 m³ (140 ft³)

Made of antistatic, dust proof polyester fabric and needle felt air venting top. Incl. 1" rack made of galvanized pipes with tube-clamps on lockable wheels.

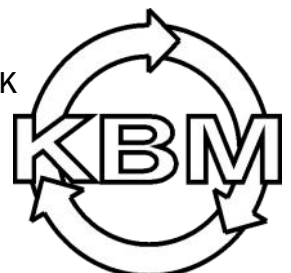
Special measurements available.



KBM APS | VOELUNDSVEJ 13 | 3400 HILLEROED | DENMARK

Phone +45 4826 8090 / www.kbm.dk / kbm@kbm.dk

KBM ApS guarantees that the product meets the specification above. The keeping, handling and use of the products are beyond the control of KBM ApS, and therefore shall not invoke any responsibility of the company. This TD substitutes and deletes all previous versions.



Technical Data sheet

STYROFILLER

EASY AND FAST FILLING OF BAGS AND FURNITURE



The KBM Styrofiller for furniture filling can fill bean bags with new EPS beads or regrind or with other similar materials.

The KBM Styrofiller is designed to effectively fill bags with EPS material.

Easy and fast adjustment of the volume for each batch.

Can also be used to fill a fixed volume of beads into plastic bags.

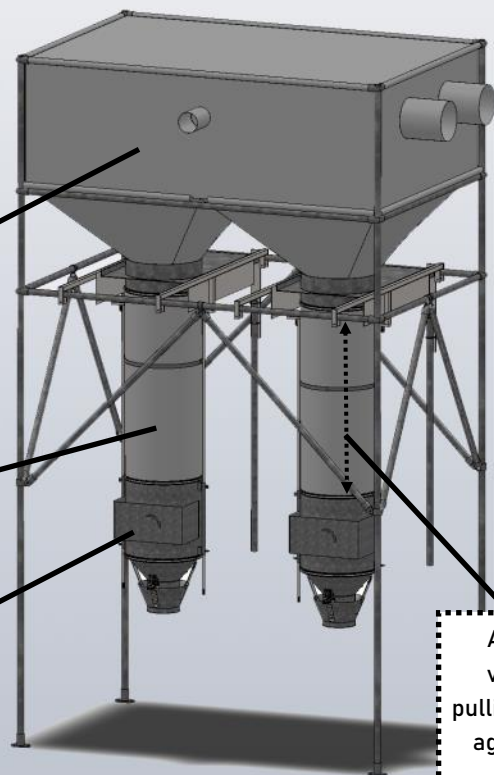


Control panel for operating

Storage silo

Flex tube

Filling aggregate



Adjust the volume by pulling the filling aggregate up/down



KBM APS | VOELUNDSVEJ 13 | 3400 HILLEROED | DENMARK

Phone +45 4826 8090 / www.kbm.dk / kbm@kbm.dk

KBM ApS guarantees that the product meets the specification above. The keeping, handling and use of the products are beyond the control of KBM ApS, and therefore shall not invoke any responsibility of the company. This TD substitutes and deletes all previous versions.

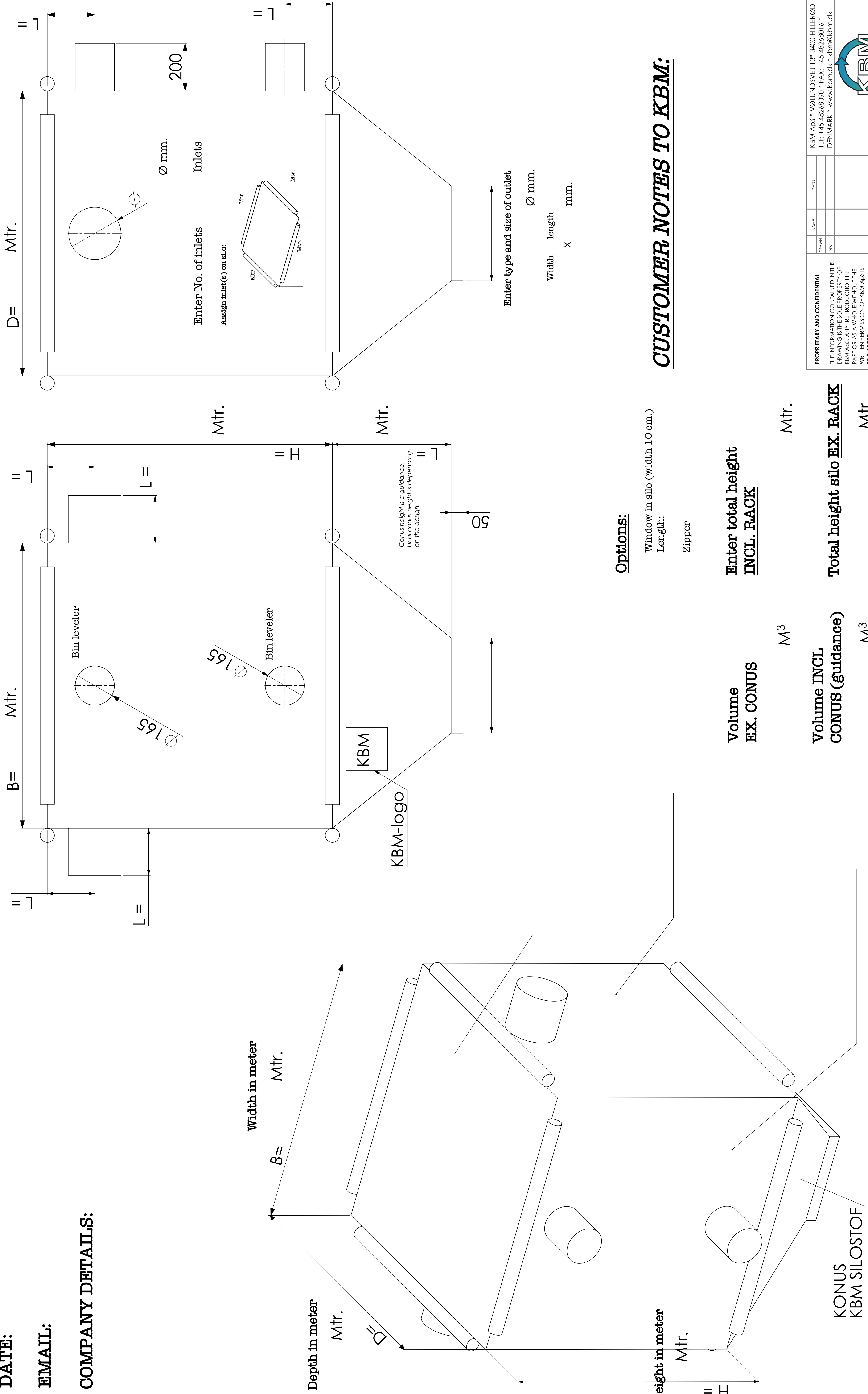


SILO MEASUREMENTS FORM

DATE:

EMAIL:

COMPANY DETAILS:



Options:

- Window in silo (width 10 cm.)
- Length:
- Zipper

Volume
EX. CONUS

M³

Enter total height
INCL. RACK

Mtr.

Volume INCL
CONUS (guidance)

M³

Total height silo EX. RACK

Mtr.

CUSTOMER NOTES TO KBM:

Enter type and size of outlet
Ø mm.
Width length x mm.

Ø mm.

Enter No. of inlets

Assign inlet(s) on silo:

Width in meter

B= Mtr.

Depth in meter

D=

Mtr.

Height in meter

H=

Mtr.

KONUS
KBM SILOSTOF

PROPRIARY AND CONFIDENTIAL
THE INFORMATION CONTAINED IN THIS
DRAWING IS THE SOLE PROPERTY OF
KBM A/S. ANY REPRODUCTION IN
PART OR AS A WHOLE WITHOUT THE
WRITTEN PERMISSION OF KBM A/S IS
PROHIBITED.
MATERIAL:

DO NOT SCALE DRAWING

NAME
DRAWN
REV.
DATE
SCALE 1:1
DWG. NO.
SHEET 01/1

KBM A/S * VØLUNDSVEJ 13 * 3400 HILLERØD
TEL: +45 48268090 * FAX: +45 48268016 *
DENMARK * www.kbm.dk * kbm@kbm.dk

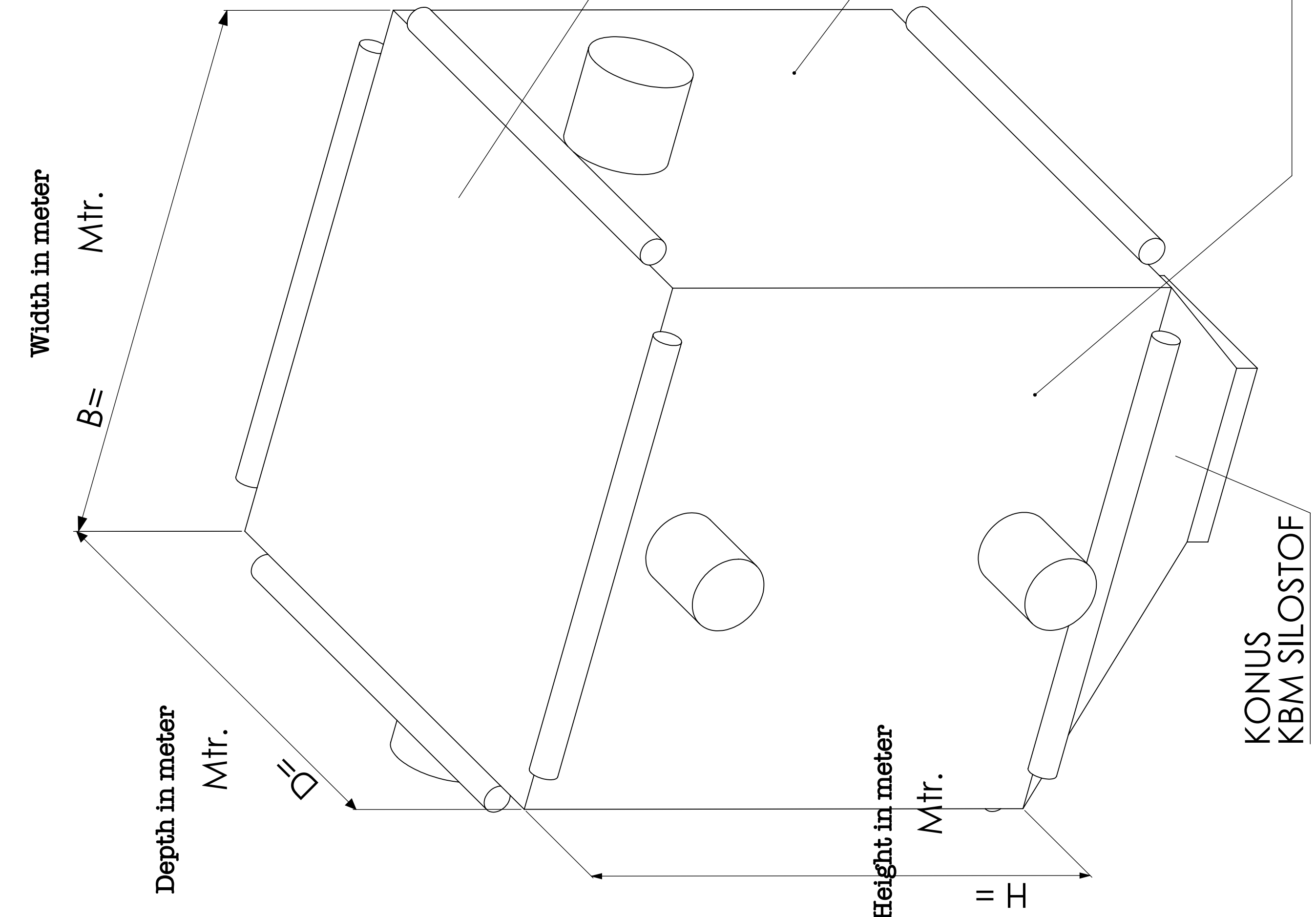
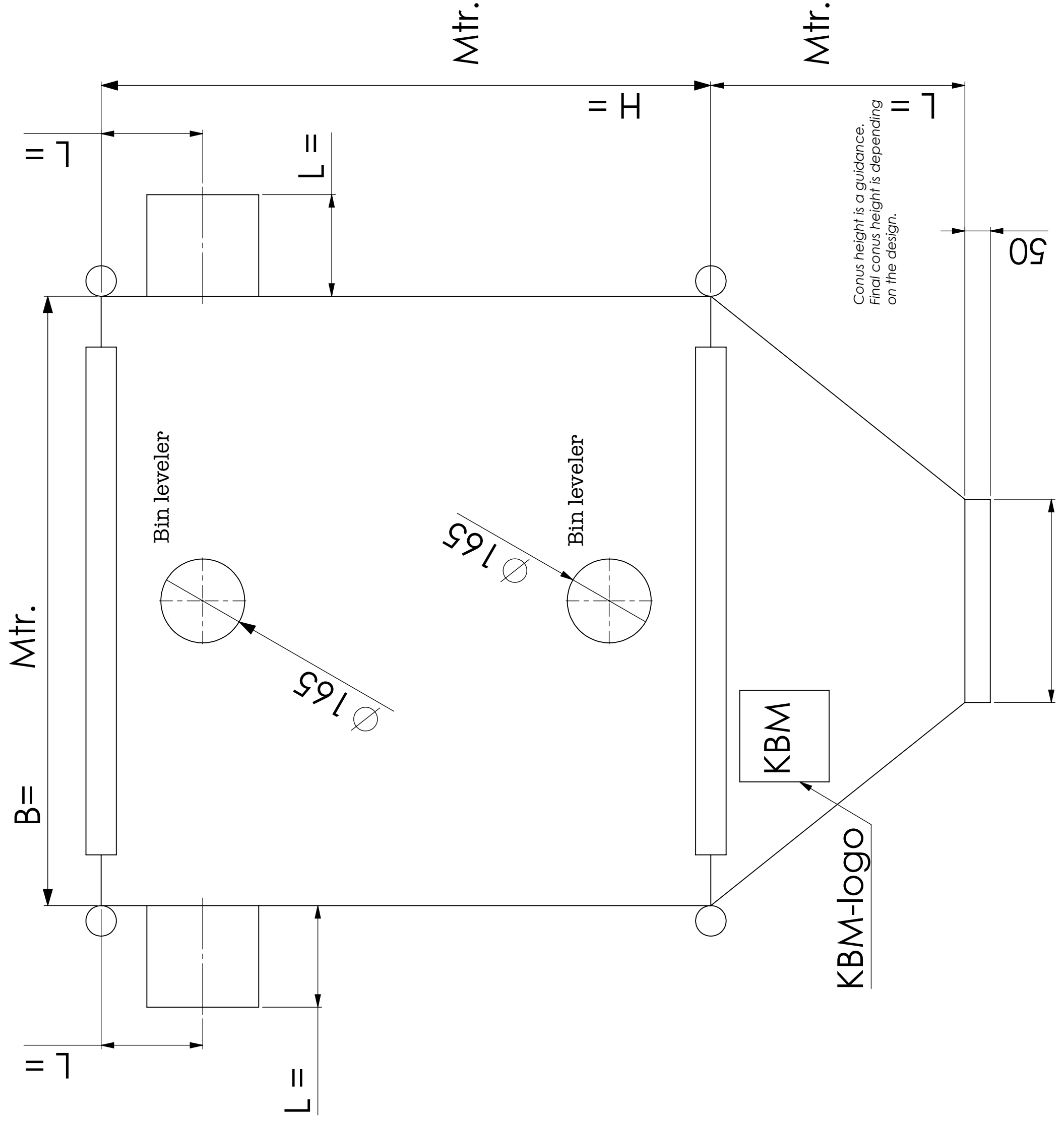
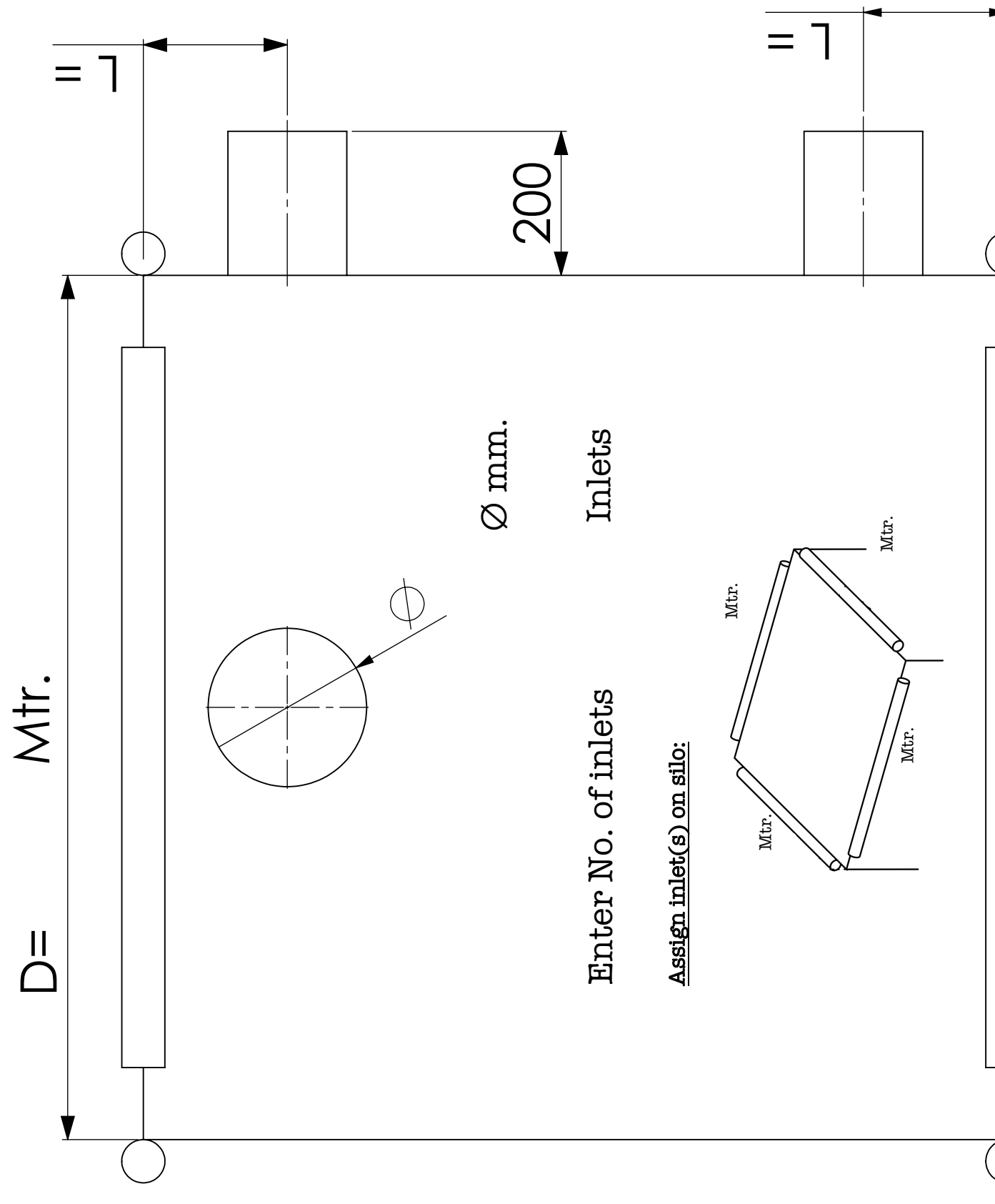


SILO MEASUREMENTS FORM

DATE:

EMAIL:

COMPANY DETAILS:



Enter type and size of outlet
 Ø mm.
 Width length x mm.

Options:

- Window in silo (width 10 cm.)
- Length:
- Zipper

Enter total height
INCL. RACK

Volume
EX. CONUS

M³

Mtr.

Volume **INCL CONUS (guidance)**

Total height silo EX. RACK

M³

Mtr.

CUSTOMER NOTES TO KBM:

PROPRIARY AND CONFIDENTIAL THE INFORMATION CONTAINED IN THIS DRAWING IS THE SOLE PROPERTY OF KBM A/S. ANY REPRODUCTION IN PART OR AS A WHOLE WITHOUT THE WRITTEN PERMISSION OF KBM A/S IS PROHIBITED.		NAME	DATE
DRAWN			
REV.			
MATERIAL:		DWG. NO.	SCALE 1:1
DO NOT SCALE DRAWING			



KBM A/S • VØLUNDSVEJ 13 • 3400 HILLERØD
 TLF: +45 48268090 • FAX: +45 48268016 •
 DENMARK • www.kbm.dk • kbm@kbm.dk

KONUS
 KBM SILOSTOF